

LDS25 Series LED Lighting Power Supply

Total Power: 25 Watts
Current: 300 to 700 mA
of Outputs: Single



Special Features

- Constant Current & Constant Voltage operation
- 0 - 10 V Dimming
- Free-Air rated - No forced air necessary for cooling
- Hot-wiring protection
- 350 Vac for 2 hours

Compliance

- IP20 and Open-Frame
- CISPR 15 / FCC Part 15 EMI Performance
- Class C Harmonics
- > 0.9 Power Factor

Safety

- EN 61347-2-13
- UL 60950 / 8750
- CSA C22.2 No. 107.1
- CE Mark (LVD)

Electrical Specifications

Input

Input range:	120-277 Vac
Input frequency:	47 - 63 Hz
Inrush current:	< 30 A max., cold start @ 25 °C
Leakage current:	250 μ A, at 264 Vac 50/60 Hz
Input power (short-circuit):	5 W
Input current (max):	< 0.35 A, at full load
Input fusing:	Internally fused
EMI/RFI:	CISPR 15 FCC Part 15
Efficiency (typical):	86% - 230 Vac 86% - 120 Vac

Output

Constant current:	From 36 V to 26 V
Constant voltage:	From 300 mA to 700 mA or Programmed Value, whichever is less
Output power:	25 W maximum
Ripple current:	15% peak; 30% peak-to-peak

Control and Protection

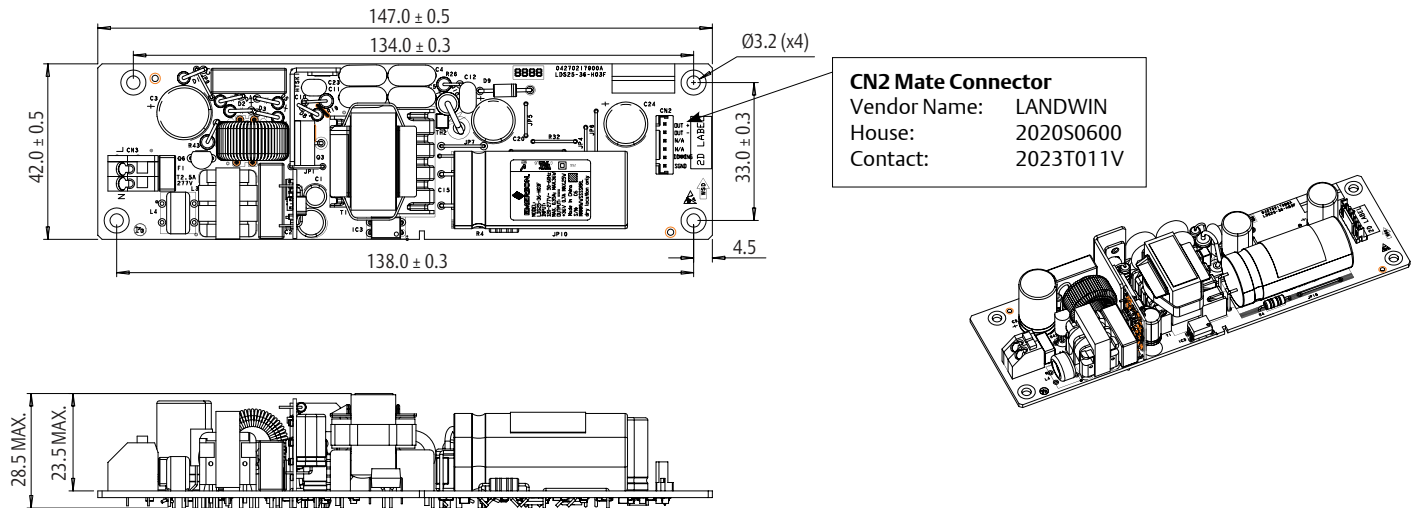
Current limit:	Programmable. Refer to model table for details
Protection:	Short Circuit Overvoltage Overtemperature Hot wiring protection

Environmental Specifications

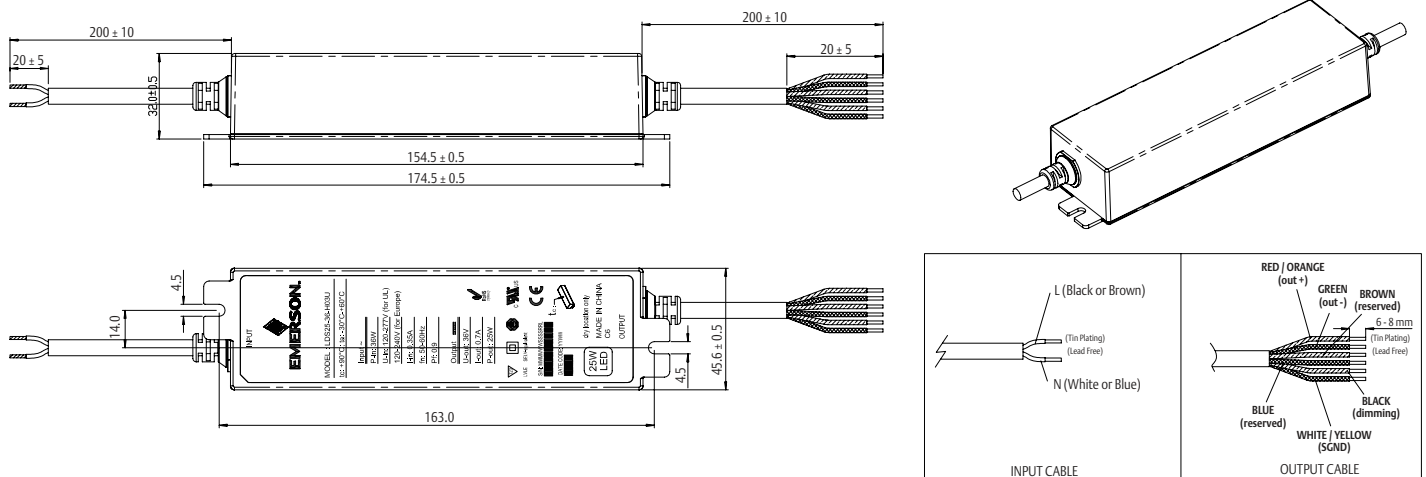
Criteria	Specification	Reference
Power Factor	> 0.9	Energy Star
Harmonics	Class C	IEC 61000-3-2
THD - Input Current	< 20%	ANSI C82.11
Surge Immunity	Level 3	IEC 61000-4-5
EMC Compliance		IEC 61000-4-2, -3, -4, -5, -6, -8, -11
Temperature (case)	-30 °C to +90 °C	Operating
Ingress Protection	IP20 and Open-Frame	Refer to model table for details

Mechanical Drawing

LDS25-36-H03F



LDS25-36-H03U



Ordering Information

Model Number	Rated Output Voltage	Rated Output Current	Dimming Interface	IP Rating
LDS25-36-H03U	36 Vdc	700 mA dc	0 - 10 V	IP20
LDS25-36-H03F	36 Vdc	700 mA dc	0 - 10 V	Open-frame

Input Connections: 2-Wire

		LDS25-36-H03F	LDS25-36-H03U	
Function	Name	Pin#	Wire Color	Wire Gauge
AC input Line	L	CN1-Black	Black or Brown	18AWG
AC input Neutral	N	CN1-Red	White or Blue	18AWG

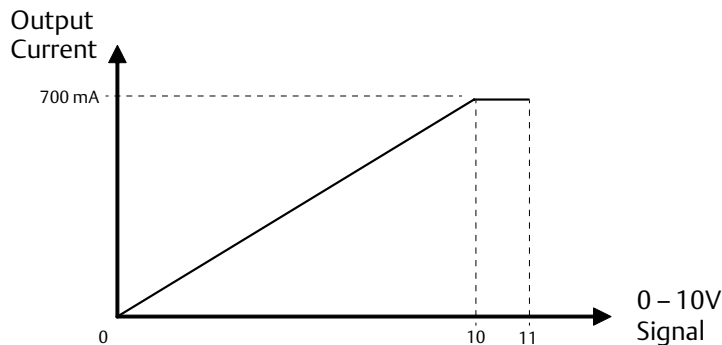
Output Connections: 6-Wire

		LDS25-36-H03F	LDS25-36-H03U	
Function	Name	Pin#	Wire Color	Wire Gauge
DC Output - Positive	OUT+	CN2-1	Red or Orange	22AWG
DC Output - Return	OUT-	CN2-2	Green	22AWG
Reserved		CN2-3	Brown	
Reserved		CN2-4	Blue	
Dimming	DIMMING	CN2-5	Black	22AWG
Signal Ground	SGND	CN2-6	White or Yellow	22AWG

Current Adjust and Dimming Description

0 - 10 V Interface

Control Voltage between "Dimming" and "SGND"



Dimming Resistor between "Dimming" and "SGND"

Programmed Current	Resistor Value
300 mA	16.9 kOhm
350 mA	22.6 kOhm
500 mA	52.3 kOhm
525 mA	61.9 kOhm
700 mA	511 kOhm

Americas

5810 Van Allen Way
Carlsbad, CA 92008
USA
Telephone: +1 760 930 4600
Facsimile: +1 760 930 0698

Europe (UK)

Waterfront Business Park
Merry Hill, Dudley
West Midlands, DY5 1LX
United Kingdom
Telephone: +44 (0) 1384 842 211
Facsimile: +44 (0) 1384 843 355

Asia (HK)

14/F, Lu Plaza
2 Wing Yip Street
Kwun Tong, Kowloon
Hong Kong
Telephone: +852 2176 3333
Facsimile: +852 2176 3888

For global contact, visit:

www.Emerson.com/EmbeddedPower
techsupport.embeddedpower@emerson.com

While every precaution has been taken to ensure accuracy and completeness in this literature, Emerson Network Power assumes no responsibility, and disclaims all liability for damages resulting from use of this information or for any errors or omissions.

Emerson Network Power.

The global leader in enabling business-critical continuity.

- AC Power
- Connectivity
- DC Power
- Embedded Computing
- Embedded Power**
- Monitoring
- Outside Plant
- Power Switching & Controls
- Precision Cooling
- Racks & Integrated Cabinets
- Services
- Surge Protection

EmersonNetworkPower.com

Emerson and the Emerson Network Power logo are trademarks of Emerson Electric Co. ©2013 Emerson Electric Co. All rights reserved.