

KB15

15 Watt Single and Dual Output, PCB Mountable AC/DC Switching Power Supply



FEATURES

- ✔ **PC BOARD MOUNTABLE**
- ✔ **SUPER SMALL SIZE**
- ✔ **HIGH POWER DENSITY**
- ✔ **UNIVERSAL INPUT / "CE-MARK"**
- ✔ **HIGH RELIABILITY**
- ✔ **OVERCURRENT PROTECTION**
- ✔ **TWO YEAR WARRANTY**

SAFETIES / EMI





FCC Part 15-B
EN 55022-B

ELECTRICAL SPECIFICATIONS

All specifications are typical at nominal input, full load.

INPUT SPECIFICATIONS

Input Voltage.....	AC 85V-264V
Input Frequency.....	47-63 Hz
Input Current.....	Vin= 115v 0.29A
	Vin= 230v 0.17A
Inrush Current.....	Vin= 100v 4.2A
	Vin= 230v 10.2A

OUTPUT SPECIFICATIONS

Output Voltage.....	See Chart
Output Adjustment.....	No Adjustment
Efficiency.....	75~80%
Over-Voltage Protection.....	N/A
Over-Current Protection.....	Automatic Recovery (105% min)
Ripple and Noise.....	150 mVp-p (typ.)
Hold-Up Time.....	Vin= 100v 12mS
	Vin= 230v 100mS
Line/Load Regulation.....	0.4% / 1% (MAX)
Rise Time.....	Vin= 100v 140mSec
	Vin= 230v 130mSec
Leakage Current.....	Vin= 100v 0.12 m Arms
	Vin= 230v 0.27 m Arms

GENERAL SPECIFICATIONS

Switching Frequency.....	100 KHz Typ
MTBF.....	>277,000 Hours
Isolation Voltage	
Primary to Secondary.....	3000 VAC
Primary to Case.....	1500 VAC
Secondary to Case.....	500 VAC
Isolation Resistance.....	100 MΩ

ENVIRONMENTAL SPECIFICATIONS

Operating Temperature	0°C ~ +60°C
	Derates linearly 2.5%/°C after 50°C
Cooling.....	Convection
Temperature Coefficient.....	0.02% / °C
Humidity.....	20~85% Rh
Storage Temperature.....	-20° ~ +85°C
Shock/Vibration.....	Shock: 20G (3 Directions each 3 times)
	Vibration: 1~55Hz

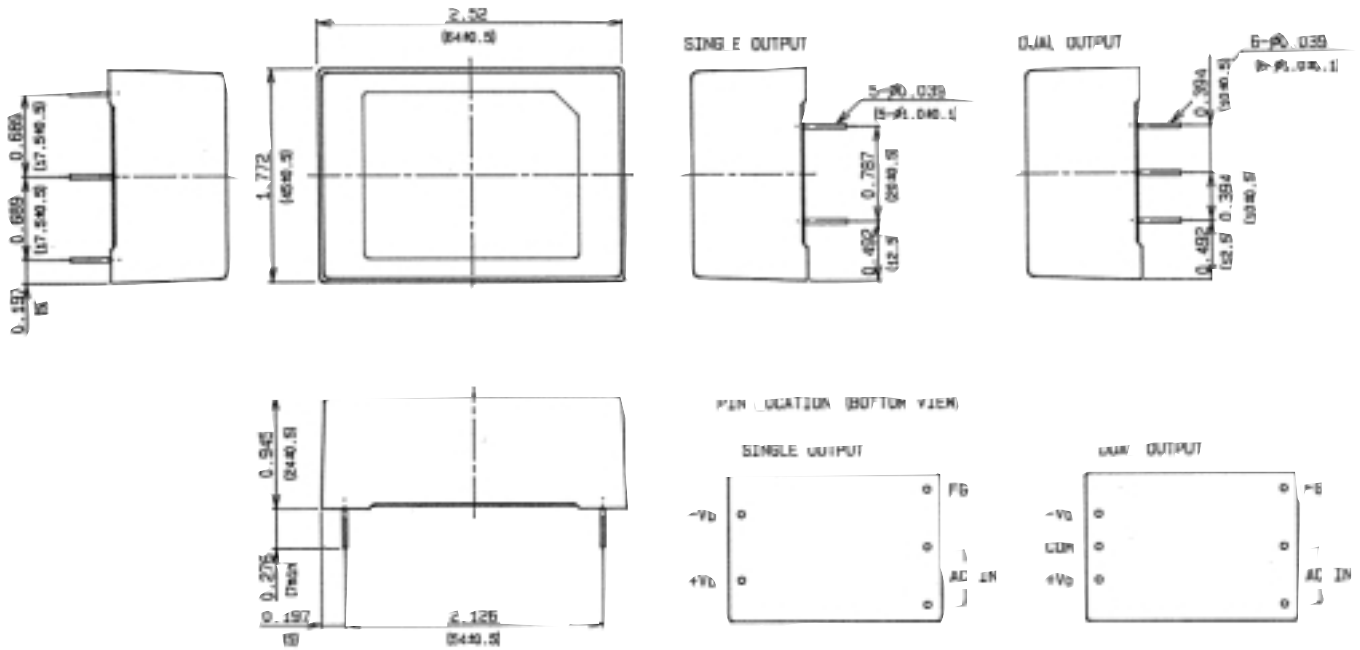
PHYSICAL SPECIFICATIONS

Board Level Encapsulated
 Thru-hole Pins

Series

MODEL	INPUT RATING	OUTPUT VOLTAGE	OUTPUT CURRENT	EFFICIENCY AT 100% LOAD (TYP.)
KB15-05S	115-230 V 50-60 HZ	5 VDC	0 ~ 3.0 A	75%
KB15-12S	115-230 V 50-60 HZ	12 VDC	0 ~ 1.3 A	79%
KB15-15S	115-230 V 50-60 HZ	15 VDC	0 ~ 1.0 A	79%
KB15-24S	115-230 V 50-60 HZ	24 VDC	0 ~ 650 mA	80%
KB15-122D	115-230 V 50-60 HZ	± 12 VDC	±65 ~ 650 mA	80%
KB15-153D	115-230 V 50-60 HZ	± 15 VDC	±50 ~ 500 mA	80%

KB15 Series



NOTE
 • TOLERANCE ±0.5mm
 ALL DIMENSION IN INCH (mm)

NOTE:
 All specifications typical and nominal / full load and 25°C unless otherwise noted.
 Avoid sustained operation in overload or dead short conditions.
 Specifications subject to changes without notice.

• Dimensions in mm