



DVHF+2800T Series

HIGH RELIABILITY HYBRID DC-DC CONVERTERS

DESCRIPTION

The DVHF series of high reliability DC-DC converters is operable over the full military (-55 °C to +125 °C) temperature range with no power derating. Unique to the DVHF series are robust and effective input and output filters which provide dramatically reduced input and output noise performance when compared to other manufacturers competing devices. Operating at a nominal fixed frequency of 325 kHz, per stage, these regulated, isolated units utilize a high speed magnetic feedback design and well controlled undervoltage lockout circuitry to eliminate slow start-up problems.

These converters are designed and manufactured in a facility qualified to ISO9001 and certified to MIL-PRF-38534 and MIL-STD-883.

This product may incorporate one or more of the following U.S. patents:

5,784,266
 5,790,389
 5,963,438
 5,999,433
 6,005,780
 6,084,792
 6,118,673

FEATURES

- High Reliability
- Very Low Output Noise
- Wide Input Voltage Range: 15 to 50 Volts per MIL-STD-704
- Up to 15 Watts Output Power
- Fault Tolerant Magnetic Feedback Circuit
- NO Use of Optoisolators
- Undervoltage Lockout
- Indefinite Short Circuit Protection
- Current Limit Protection
- Industry Standard Pinout
- High Input Transient Voltage: 80 Volts for 1 sec per MIL-STD-704A
- Precision Projection Welded Hermetic Package
- High Power Density: > 37 W/in³
- Custom Versions Available
- Additional Environmental Screening Available
- Meets MIL-STD-461C and MIL-STD-461D EMC Requirements When Used With a DVMH28 EMI Filter
- Flanged and Non-flanged Versions Available.
- MIL-PRF-38534 Element Evaluated Components

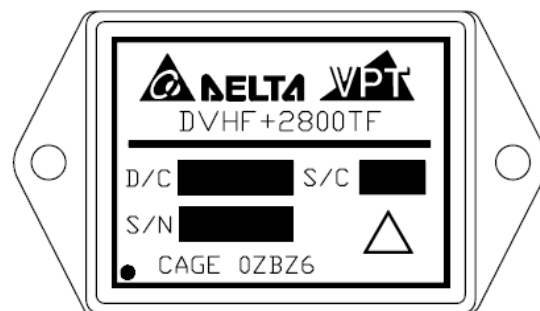


Figure 1 – DVHF+2800T / DVHF+2800TF DC-DC Converter
 (Exact marking may differ from that shown)

SPECIFICATIONS ($T_{CASE} = -55^{\circ}C$ to $+125^{\circ}C$, $V_{IN} = +28V \pm 5\%$, Full Load⁵, Unless Otherwise Specified)

ABSOLUTE MAXIMUM RATINGS

Input Voltage (Continuous)	50 V _{DC}	Junction Temperature Rise to Case	+15°C
Input Voltage (Transient, 1 second)	80 Volts	Storage Temperature	-65°C to +150°C
Output Power	15 Watts	Lead Solder Temperature (10 seconds)	270°C
Power Dissipation (Full Load, $T_{CASE} = +125^{\circ}C$)	6.5 Watts	Weight (Maximum) (Un-Flanged / Flanged)	(26 / 29) Grams

Parameter	Conditions	DVHF+28512T			DVHF+28515T			Units	
		Min	Typ	Max	Min	Typ	Max		
STATIC									
INPUT Voltage	Continuous	15	28	50	15	28	50	V	
	Transient, 1 sec ⁴	-	-	80	-	-	80	V	
Current	Inhibited	-	2	5.0	-	2	5.0	mA	
	No Load	-	25	60	-	25	60	mA	
Ripple Current	Full Load ⁵ , 20Hz to 10MHz	-	25	50	-	25	50	mA _{p-p}	
Inhibit Pin Input ⁴		0	-	1.5	0	-	1.5	V	
Inhibit Pin Open Circuit Voltage ⁴		12	15	17	12	15	17	V	
UVLO Turn On		10.5	-	14.5	10.5	-	14.5	V	
UVLO Turn Off ⁴		8.5	-	13.5	8.5	-	13.5	V	
OUTPUT Voltage	V _{MAIN}	T _{CASE} = 25°C	4.95	5.0	5.05	4.95	5.0	5.05	V
	+V _{AUX}		11.88	12.0	12.12	14.85	15.0	15.15	V
	-V _{AUX}		-12.24	-12.0	-11.76	-15.30	-15.0	-14.70	V
	V _{MAIN}	T _{CASE} = -55°C to +125°C	4.85	5.0	5.15	4.85	5.0	5.15	V
	+V _{AUX}		11.64	12.0	12.36	14.55	15.0	15.45	V
	-V _{AUX}		-12.48	-12.0	-11.52	-15.60	-15.0	-14.40	V
Power ⁴	Total		0	-	15	0	-	15	W
	V _{MAIN}		0	-	7.5	0	-	7.5	W
	±V _{AUX} ⁶		0	-	7.5	0	-	7.5	W
Current ³	V _{MAIN}		0	-	1.5	0	-	1.5	A
	±V _{AUX}	Either Output ⁶	0	-	0.44	0	-	0.35	A
Ripple Voltage	V _{MAIN}	Full Load ⁵ , 20Hz to 10MHz	-	10	50	-	10	50	mV _{p-p}
	±V _{AUX}		-	20	80	-	20	80	mV _{p-p}
Line Regulation	V _{MAIN}	V _{IN} = 15V to 50V	-	2	20	-	2	20	mV
	±V _{AUX}		-	5	50	-	5	50	mV
Load Regulation	V _{MAIN}	No Load to Full Load ^{5,8}	-	15	50	-	15	50	mV
	+V _{AUX}		-	10	50	-	10	50	mV
	-V _{AUX}		-	15	200	-	15	200	mV
Cross Regulation	±V _{AUX}	+V _{OUT} = 30%, -V _{OUT} = 70% +V _{OUT} = 70%, -V _{OUT} = 30%	-	150	450	-	150	450	mV
EFFICIENCY		Full Load ⁵	74	79	-	74	79	-	%
LOAD FAULT POWER DISSIPATION		Overload ⁴	-	-	7.5	-	-	7.5	W
		Short Circuit	-	-	7.5	-	-	7.5	W
CAPACITIVE LOAD ⁴			-	-	500	-	-	500	μF
SWITCHING FREQUENCY			550	650	700	550	650	700	kHz
SYNCHRONIZATION FREQUENCY ⁷			700	750	800	700	750	800	kHz
ISOLATION		500 V _{DC} , T _{CASE} = 25°C	100	-	-	100	-	-	MΩ
MTBF (MIL-HDBK-217F)		AIF @ T _C = 55°C	-	350	-	-	350	-	kHrs

SPECIFICATIONS ($T_{CASE} = -55^{\circ}C$ to $+125^{\circ}C$, $V_{IN} = +28V \pm 5\%$, Full Load⁵, Unless Otherwise Specified)

ABSOLUTE MAXIMUM RATINGS			
Input Voltage (Continuous)	50 V_{DC}	Junction Temperature Rise to Case	+15°C
Input Voltage (Transient, 1 second)	80 Volts	Storage Temperature	-65°C to +150°C
Output Power	15 Watts	Lead Solder Temperature (10 seconds)	270°C
Power Dissipation (Full Load, $T_{CASE} = +125^{\circ}C$)	6.5 Watts	Weight (Maximum) (Un-Flanged / Flanged)	(26 / 29) Grams

Parameter	Conditions	DVHF+28512T			DVHF+28515T			Units	
		Min	Typ	Max	Min	Typ	Max		
DYNAMIC									
Load Step Output Transient	V_{MAIN}	Half Load to Full Load	-	130	400	-	130	400	mV _{PK}
	$\pm V_{AUX}$		-	220	500	-	210	500	mV _{PK}
Load Step Recovery ²	V_{MAIN}		-	400	650	-	400	650	μ Sec
	$\pm V_{AUX}$		-	200	350	-	150	350	μ Sec
Line Step Output Transient ⁴	V_{MAIN}	$V_{IN} = 15V$ to $50V$	-	50	150	-	50	150	mV _{PK}
	$\pm V_{AUX}$		-	300	500	-	300	500	mV _{PK}
Line Step Recovery ^{2,4}	V_{MAIN}		-	100	200	-	100	200	μ Sec
	$\pm V_{AUX}$		-	250	500	-	250	500	μ Sec
Turn On Delay			-	10	17	-	10	17	mSec
Turn On Overshoot	V_{MAIN}	$V_{IN} = 0V$ to $28V$	-	0	25	-	0	25	mV _{PK}
	$\pm V_{AUX}$		-	0	50	-	0	50	mV _{PK}

- Notes:
1. This note intentionally not used.
 2. Time for output voltage to settle within 1% of its nominal value.
 3. Derate linearly to 0 at 135°C.
 4. Verified by qualification testing.
 5. 7.5W on V_{MAIN} and 7.5W on $\pm V_{AUX}$.
 6. Up to 70% of the total auxiliary power or current can be drawn from either of the auxiliary outputs.
 7. Synchronization is TTL signal with $V_{SYNC\ MAX} = 6V$.
 8. $-V_{AUX}$ is 5% Load to Full Load at -55°C.

SPECIFICATIONS ($T_{CASE} = -55^{\circ}\text{C}$ to $+125^{\circ}\text{C}$, $V_{IN} = +28\text{V} \pm 5\%$, Full Load⁵, Unless Otherwise Specified)

ABSOLUTE MAXIMUM RATINGS

Input Voltage (Continuous)	50 V _{DC}	Junction Temperature Rise to Case	+15°C
Input Voltage (Transient, 1 second)	80 Volts	Storage Temperature	-65°C to +150°C
Output Power	15 Watts	Lead Solder Temperature (10 seconds)	270°C
Power Dissipation (Full Load, $T_{CASE} = +125^{\circ}\text{C}$)	6.5 Watts	Weight (Maximum) (Un-Flanged / Flanged)	(26 / 29) Grams

Parameter	Conditions	DVHF+285R715T			Units	
		Min	Typ	Max		
STATIC						
INPUT Voltage	Continuous	15	28	50	V	
	Transient, 1 sec ⁴	-	-	80	V	
Current	Inhibited	-	2	5.0	mA	
	No Load	-	25	60	mA	
Ripple Current	Full Load ⁵ , 20Hz to 10MHz	-	25	50	mA _{p-p}	
Inhibit Pin Input ⁴		0	-	1.5	V	
Inhibit Pin Open Circuit Voltage ⁴		12	15	17	V	
UVLO Turn On		10.5	-	14.5	V	
UVLO Turn Off ⁴		8.5	-	13.5	V	
OUTPUT Voltage	V _{MAIN}	T _{CASE} = 25°C	5.643	5.7	5.757	V
	+V _{AUX}		14.85	15.0	15.15	V
	-V _{AUX}		-15.30	-15.0	-14.70	V
	V _{MAIN}	T _{CASE} = -55°C to +125°C	5.529	5.7	5.871	V
	+V _{AUX}		14.55	15.0	15.45	V
	-V _{AUX}		-15.60	-15.0	-14.40	V
Power ⁴	Total		0	-	15	W
	V _{MAIN}		0	-	7.5	W
	±V _{AUX} ⁶		0	-	7.5	W
Current ³	V _{MAIN}		0	-	1.32	A
	±V _{AUX}	Either Output ⁶	0	-	0.35	A
Ripple Voltage	V _{MAIN}	Full Load ⁵ , 20Hz to 10MHz	-	10	50	mV _{p-p}
	±V _{AUX}		-	20	80	mV _{p-p}
Line Regulation	V _{MAIN}	V _{IN} = 15V to 50V	-	2	20	mV
	±V _{AUX}		-	5	50	mV
Load Regulation	V _{MAIN}	No Load to Full Load ^{5,8}	-	15	50	mV
	+V _{AUX}		-	10	50	mV
	-V _{AUX}		-	15	200	mV
Cross Regulation	±V _{AUX}	+V _{OUT} = 30%, -V _{OUT} = 70% +V _{OUT} = 70%, -V _{OUT} = 30%	-	150	450	mV
EFFICIENCY	Full Load ⁵	74	79	-	%	
LOAD FAULT POWER DISSIPATION	Overload ⁴	-	-	7.5	W	
	Short Circuit	-	-	7.5	W	
CAPACITIVE LOAD ⁴		-	-	500	μF	
SWITCHING FREQUENCY		550	650	700	kHz	
SYNCHRONIZATION FREQUENCY ⁷		700	750	800	kHz	
ISOLATION	500 V _{DC} , T _{CASE} = 25°C	100	-	-	MΩ	
MTBF (MIL-HDBK-217F)	AIF @ T _C = 55°C	-	350	-	kHrs	

SPECIFICATIONS ($T_{CASE} = -55^{\circ}\text{C}$ to $+125^{\circ}\text{C}$, $V_{IN} = +28\text{V} \pm 5\%$, Full Load⁵, Unless Otherwise Specified)

ABSOLUTE MAXIMUM RATINGS

Input Voltage (Continuous)	50 V_{DC}	Junction Temperature Rise to Case	+15°C
Input Voltage (Transient, 1 second)	80 Volts	Storage Temperature	-65°C to +150°C
Output Power	15 Watts	Lead Solder Temperature (10 seconds)	270°C
Power Dissipation (Full Load, $T_{CASE} = +125^{\circ}\text{C}$)	6.5 Watts	Weight (Maximum) (Un-Flanged / Flanged)	(26 / 29) Grams

Parameter	Conditions	DVHF+285R715T			Units		
		Min	Typ	Max			
DYNAMIC							
Load Step Output Transient	V_{MAIN}	Half Load to Full Load	-	130	400	mV _{PK}	
	$\pm V_{AUX}$		-	210	500	mV _{PK}	
Load Step Recovery ²	V_{MAIN}		-	400	650	μSec	
	$\pm V_{AUX}$		-	150	350	μSec	
Line Step Output Transient ⁴	V_{MAIN}		$V_{IN} = 15\text{V}$ to 50V	-	50	150	mV _{PK}
	$\pm V_{AUX}$			-	300	500	mV _{PK}
Line Step Recovery ^{2, 4}	V_{MAIN}	-		100	200	μSec	
	$\pm V_{AUX}$	-		250	500	μSec	
Turn On Delay		-		10	17	mSec	
Turn On Overshoot	V_{MAIN}	$V_{IN} = 0\text{V}$ to 28V		-	0	25	mV _{PK}
	$\pm V_{AUX}$		-	0	50	mV _{PK}	

- Notes:
1. This note intentionally not used.
 2. Time for output voltage to settle within 1% of its nominal value.
 3. Derate linearly to 0 at 135°C.
 4. Verified by qualification testing.
 5. 7.5W on V_{MAIN} and 7.5W on $\pm V_{AUX}$.
 6. Up to 70% of the total auxiliary power or current can be drawn from either of the auxiliary outputs.
 7. Synchronization is TTL signal with $V_{SYNC\ MAX} = 6\text{V}$.
 8. $-V_{AUX}$ is 5% Load to Full Load at -55°C.

BLOCK DIAGRAM

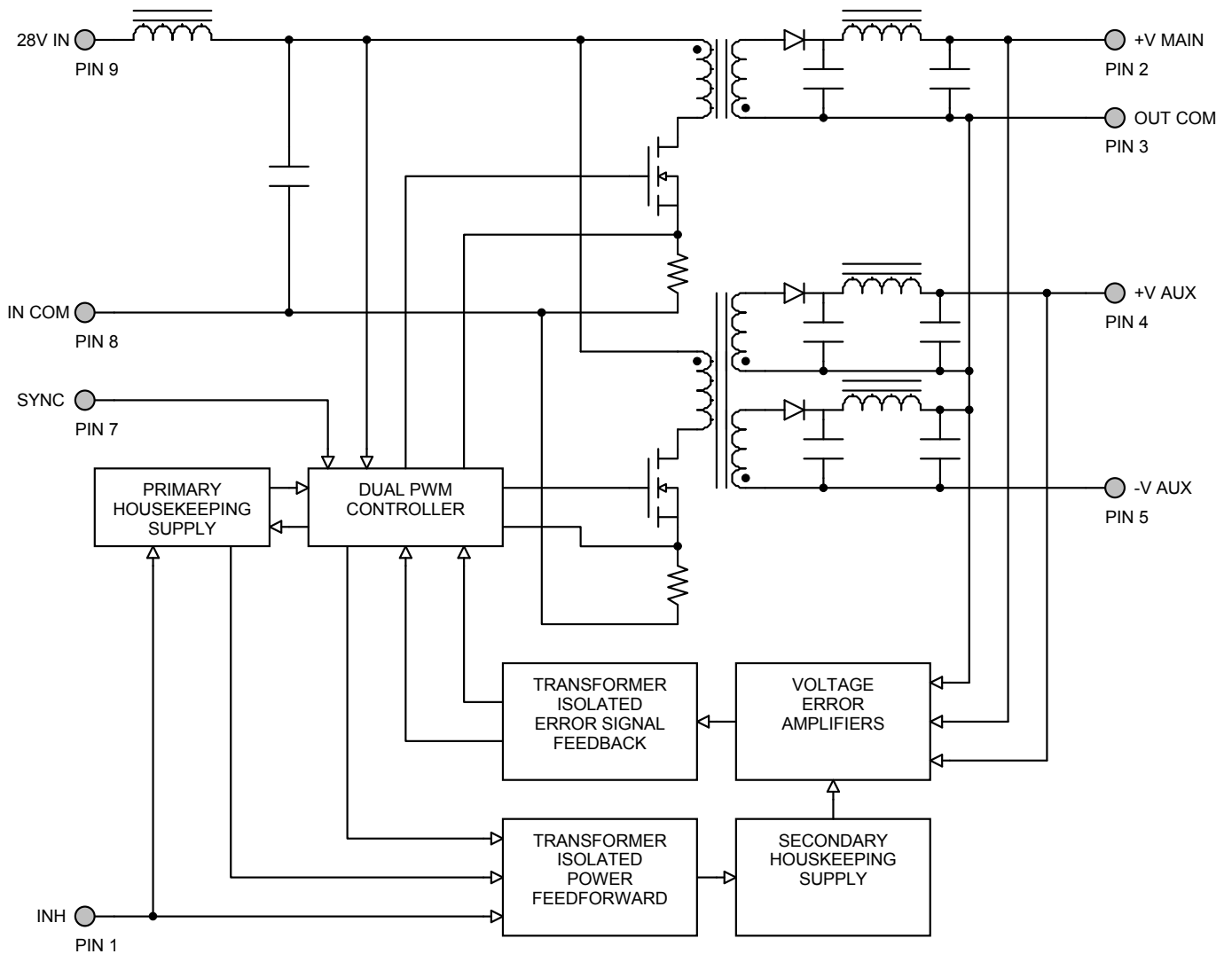


Figure 2

CONNECTION DIAGRAM

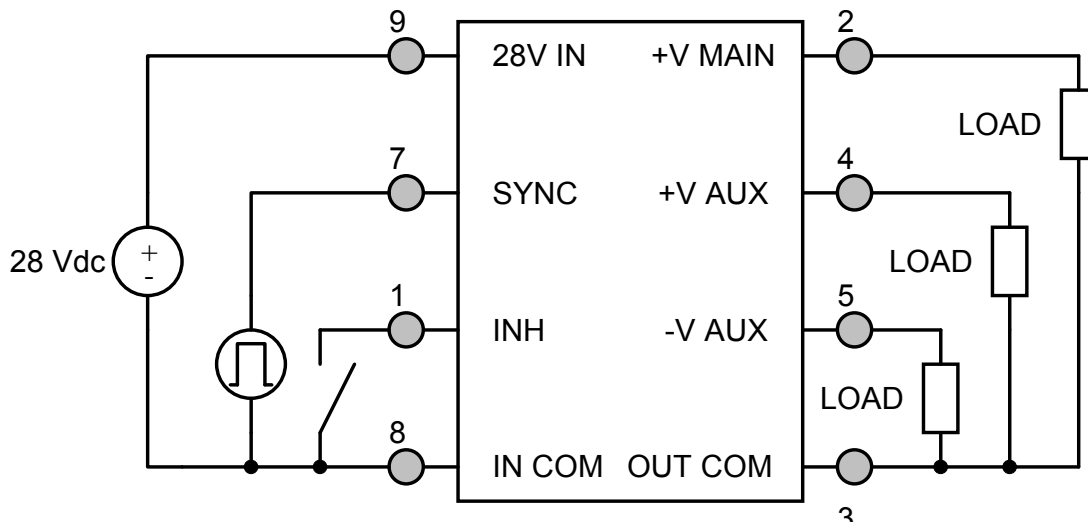


Figure 3

INHIBIT DRIVE CONNECTION DIAGRAMS

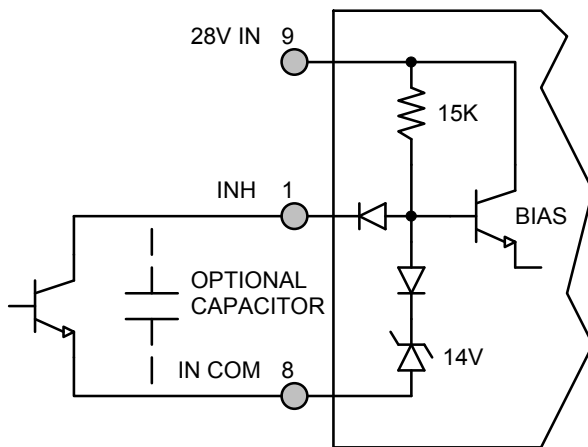


Figure 4 – Internal Inhibit Circuit and Recommended Drive
(Shown with optional capacitor for turn-on delay)

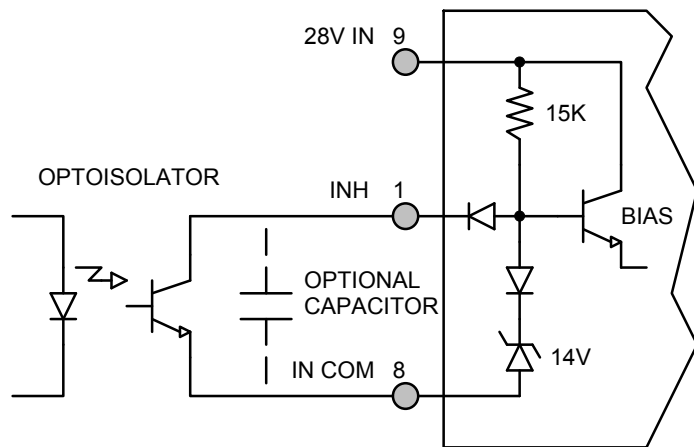


Figure 5 – Isolated Inhibit Drive
(Shown with optional capacitor for turn-on delay)

EMI FILTER HOOKUP DIAGRAM

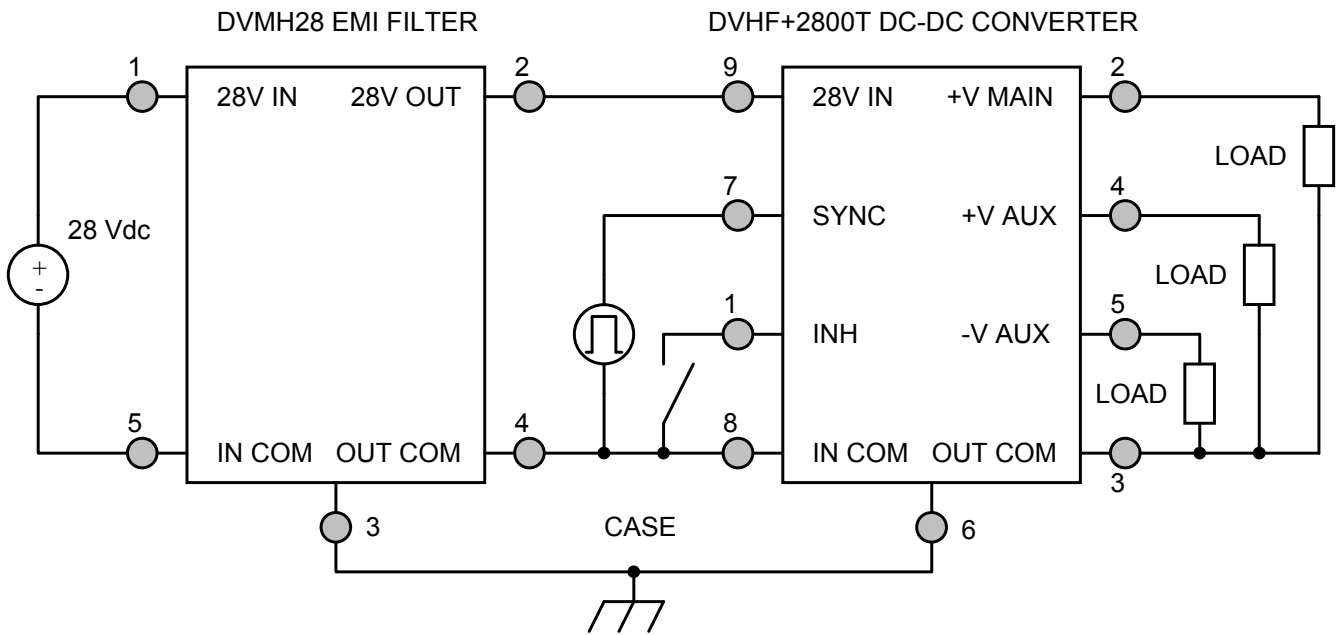


Figure 6 – Converter with EMI Filter

EFFICIENCY PERFORMANCE CURVES ($T_{CASE} = 25^{\circ}C$)

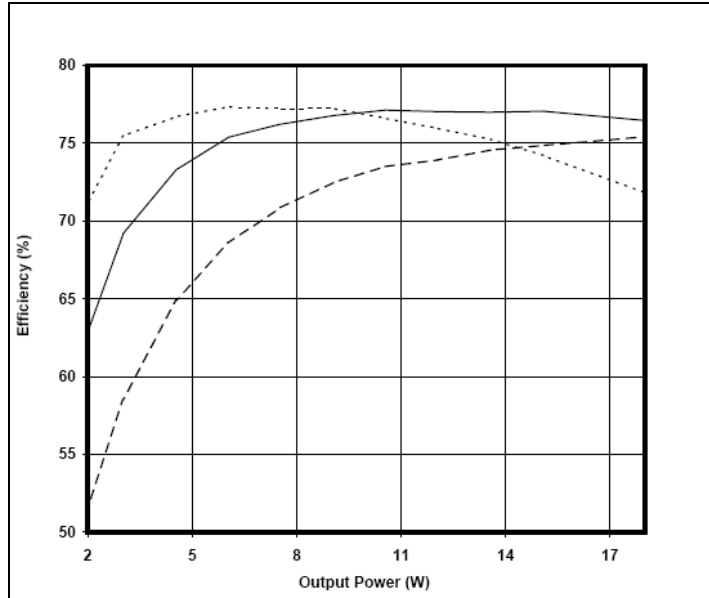
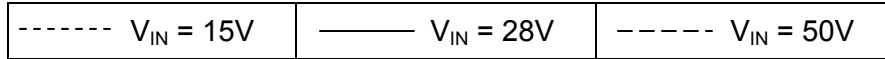


Figure 7 – DVHF+28512T
Efficiency (%) vs. Output Power (W)

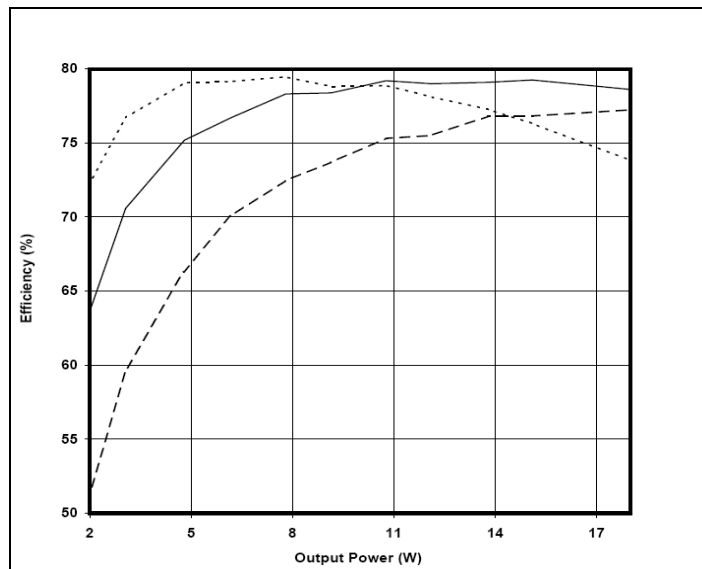


Figure 8 – DVHF+28515T
Efficiency (%) vs. Output Power (W)

EMI PERFORMANCE CURVES

($T_{CASE} = 25^{\circ}C$, $V_{IN} = +28V \pm 5\%$, Full Load, Unless Otherwise Specified)

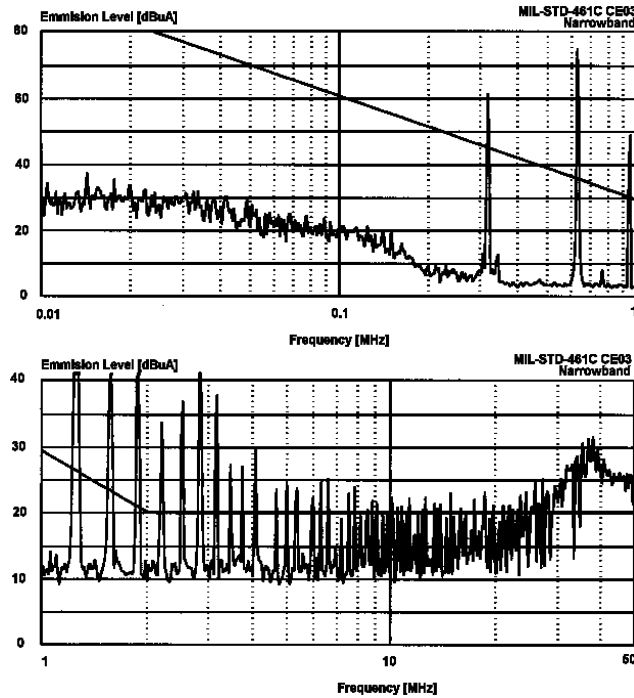


Figure 9 – DVHF+2800T without EMI Filter

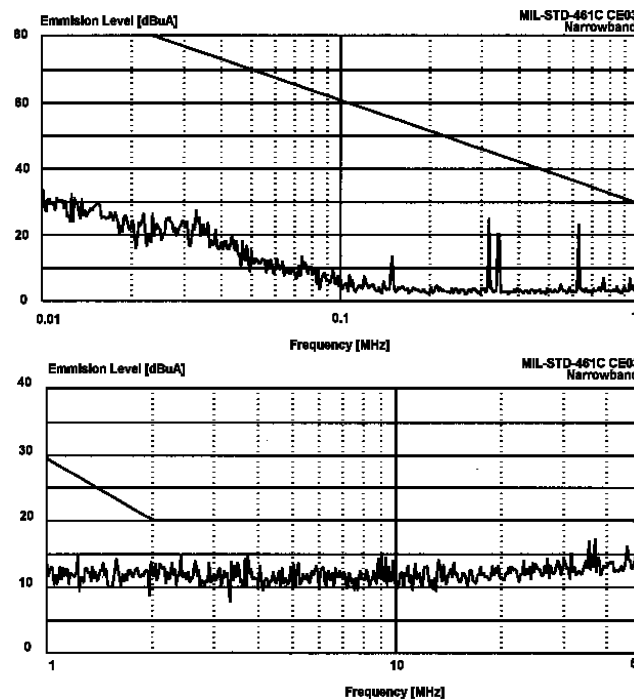
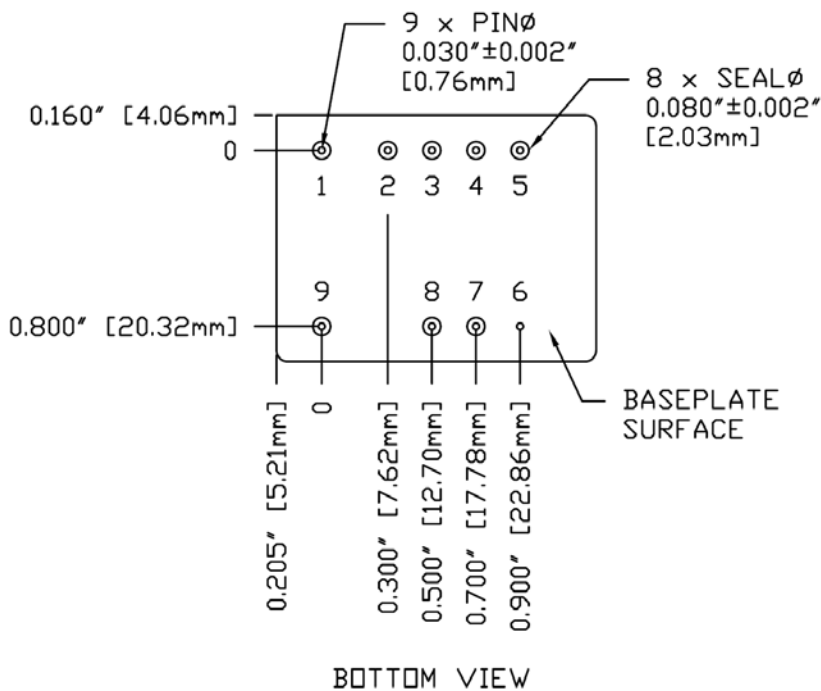
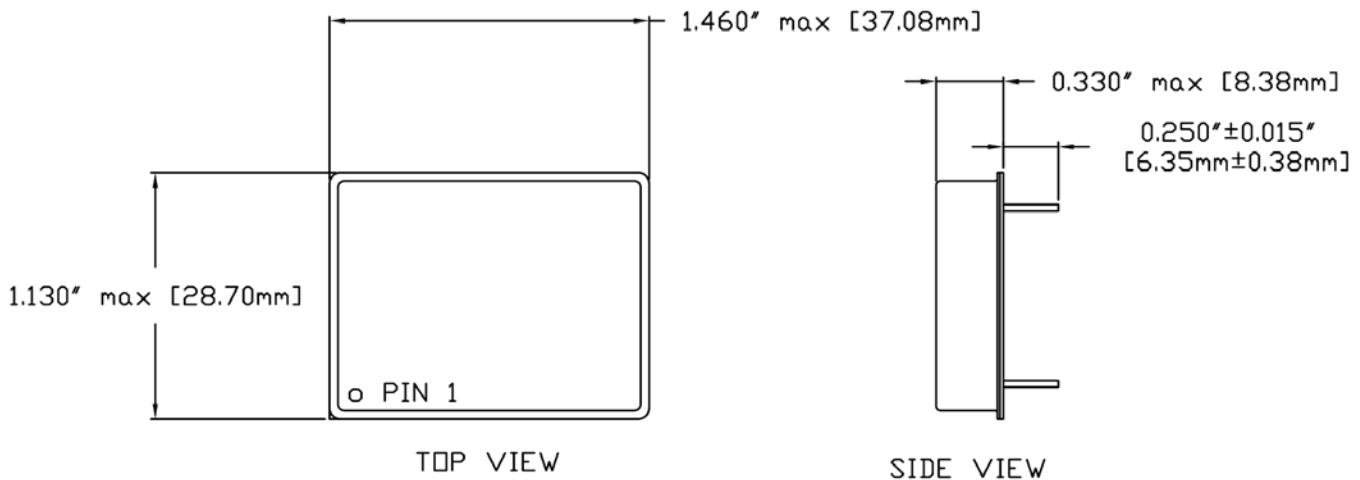


Figure 10 – DVHF+2800T with EMI Filter

PACKAGE SPECIFICATIONS (NON-FLANGED)

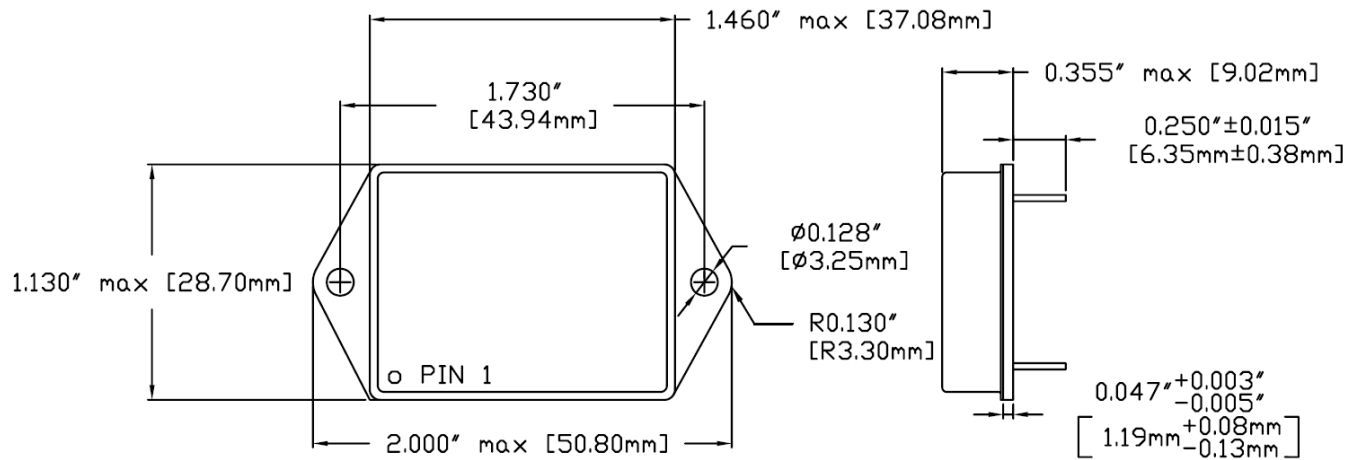


- NOTES:**
1. DIMENSIONAL LIMITS ARE $\pm 0.005"$ UNLESS OTHERWISE STATED.
 2. CASE TEMPERATURE IS MEASURED ON THE CENTER OF THE BASEPLATE.
 3. MATERIALS:
CASE: STEEL, GOLD OVER NICKEL PLATED.
COVER: STEEL, NICKEL PLATED.
PINS: ALLOY 52, GOLD OVER NICKEL PLATED.
PIN SEALS: GLASS

PIN	FUNCTION	PIN	FUNCTION	PIN	FUNCTION
1	INHIBIT	4	+V AUX	7	SYNC
2	+V MAIN	5	-V AUX	8	IN COM
3	OUT COM	6	CASE	9	28V IN

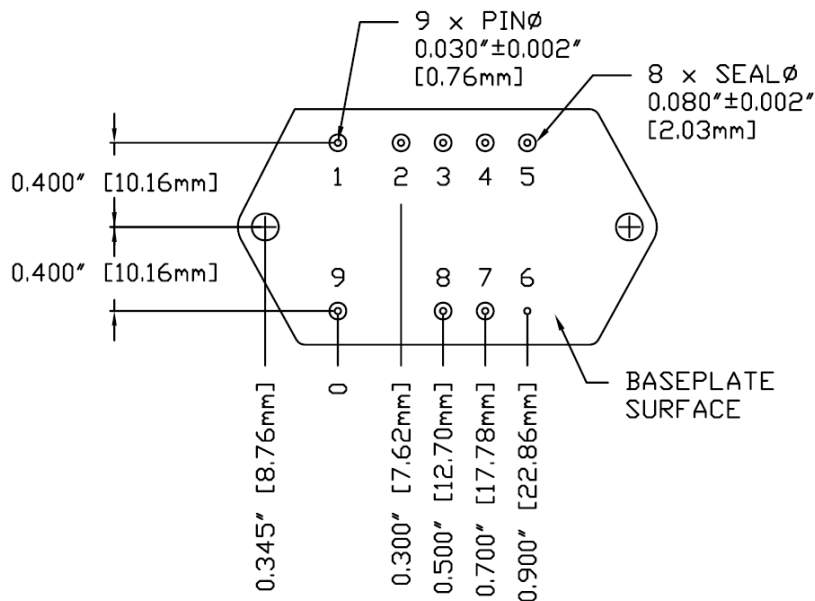
Figure 11 – Non-Flanged Package and Pinout

PACKAGE SPECIFICATIONS (FLANGED)



TOP VIEW

SIDE VIEW



BOTTOM VIEW

NOTES:

1. DIMENSIONAL LIMITS ARE $\pm 0.005"$ UNLESS OTHERWISE STATED.
2. CASE TEMPERATURE IS MEASURED ON THE CENTER OF THE BASEPLATE.
3. MOUNTING HOLES ARE NOT THREADED. RECOMMENDED FASTENER IS #4-40 SCREW.
4. MATERIALS:
CASE: STEEL, GOLD OVER NICKEL PLATED.
COVER: STEEL, NICKEL PLATED.
PINS: ALLOY 52, GOLD OVER NICKEL PLATED.
PIN SEALS: GLASS

PIN	FUNCTION	PIN	FUNCTION	PIN	FUNCTION
1	INHIBIT	4	+V AUX	7	SYNC
2	+V MAIN	5	-V AUX	8	IN COM
3	OUT COM	6	CASE	9	28V IN

Figure 12 – Flanged Package and Pinout

PACKAGE PIN DESCRIPTION

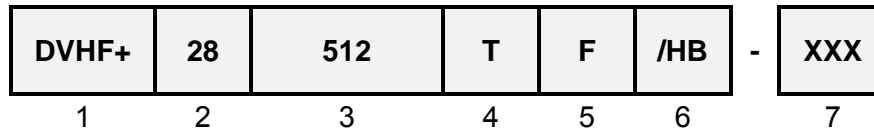
Pin	Function	Description
1	INHIBIT	Logic Low = Disabled Output. Connecting the inhibit pin to input common causes converter shutdown. Logic High = Enabled Output. Unconnected or open collector TTL.
2	+V MAIN	Positive Main Output Voltage Connection
3	OUT COM	Output Common Connection
4	+V AUX	Positive Auxiliary Output Voltage Connection
5	-V AUX	Negative Auxiliary Output Voltage Connection
6	CASE	Case Connection
7	SYNC	Synchronization Signal
8	IN COM	Input Common Connection
9	28V IN	Positive Input Voltage Connection

ENVIRONMENTAL SCREENING (100% Tested Per MIL-STD-883 as referenced to MIL-PRF-38534)

Screening	MIL-STD-883	Standard (No Suffix)	Extended /ES	HB /HB	Class H /H	Class K /K
Non-Destructive Bond Pull	Method 2023	•	•	•	•	•
Internal Visual	Method 2017, 2032 Internal Procedure	•	•	•	•	•
Temperature Cycling	Method 1010, Condition C Method 1010, -55°C to 125°C		•	•	•	•
Constant Acceleration	Method 2001, 3000g, Y1 Direction Method 2001, 500g, Y1 Direction		•	•	•	•
PIND	Method 2020, Condition A ²					•
Pre Burn-In Electrical	100% at 25°C					•
Burn-In	Method 1015, 320 hours at +125°C Method 1015, 160 hours at +125°C 96 hours at +125°C 24 hours at +125°C	•	•	•	•	•
Final Electrical	MIL-PRF-38534, Group A ¹ 100% at 25°C	•	•	•	•	•
Hermeticity	Method 1014, Fine Leak, Condition A Method 1014, Gross Leak, Condition C Dip (1 x 10 ⁻³)	•	•	•	•	•
Radiography	Method 2012 ³					•
External Visual	Method 2009	•	•	•	•	•

- Notes:
1. 100% R&R testing at -55°C, +25°C, and +125°C with all test data included in product shipment.
 2. PIND test Certificate of Compliance included in product shipment.
 3. Radiographic test Certificate of Compliance and film(s) included in product shipment.

ORDERING INFORMATION



(1)

(2)

(3)

Product Series	Nominal Input Voltage		Main Output Voltage, Auxiliary Output Voltages		
DVHF+	28	28 Volts	512 515 5R715	+ 5 Volts, ± 12 Volts + 5 Volts, ± 15 Volts +5.7 Volts, ± 15 Volts	

(4)

(5)

(6)

(7)

Number of Outputs		Package Option		Screening Code ^{1,2}		Additional Screening Code
T	Triple	None F	Non-Flanged Flanged	None /ES /HB /H /K	Standard Extended HB Class H Class K	Contact Sales

- Notes:
1. Contact the VPT Inc. Sales Department for availability of Class H (/H) or Class K (/K) qualified products.
 2. VPT Inc. reserves the right to ship higher screened or SMD products to meet lower screened orders at our sole discretion unless specifically forbidden by customer contract.

Please contact your sales representative or the VPT Inc. Sales Department for more information concerning additional environmental screening and testing, different input voltage, output voltage, power requirement, source inspection, and/or special element evaluation for space or other higher quality applications.

SMD (STANDARD MICROCIRCUIT DRAWING) NUMBERS

Standard Microcircuit Drawing (SMD)	DVHF+2800T Series Similar Part Number
5962-0820601HXC	DVHF+28512T/H
5962-0820601HYC	DVHF+28512TF/H
5962-0820601KXC	DVHF+28512T/K
5962-0820601KYC	DVHF+28512TF/K
5962-0820602HXC	DVHF+28515T/H
5962-0820602HYC	DVHF+28515TF/H
5962-0820602KXC	DVHF+28515T/K
5962-0820602KYC	DVHF+28515TF/K
*TBD	DVHF+285R715T/H DVHF+285R715TF/H DVHF+285R715T/K DVHF+285R715TF/K

Do not use the DVHF+2800T Series similar part number for SMD product acquisition. It is listed for reference only. For exact specifications for the SMD product, refer to the SMD drawing. SMD's can be downloaded from the DSCC website at <http://www.dscclia.mil/programs/smcr/>. The SMD numbers listed above are for MIL-PRF-38534 Class H or K screening, standard gold plated lead finish, and no RHA (Radiation Hardness Assurance) level. Please reference the SMD for other lead finishes and radiation levels. All SMD products are marked with a "Q" on the cover as specified by the QML certification mark requirement of MIL-PRF-38534.

CONTACT INFORMATION

To request a quotation or place orders please contact your sales representative or the VPT Inc. Sales Department at:

Phone: (425) 353-3010
Fax: (425) 353-4030
E-mail: vptsales@vpt-inc.com

All information contained in this datasheet is believed to be accurate, however, no responsibility is assumed for possible errors or omissions. The products or specifications contained herein are subject to change without notice.